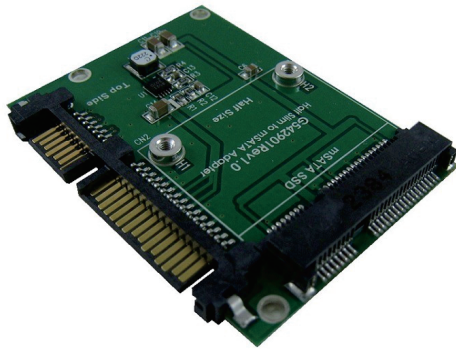
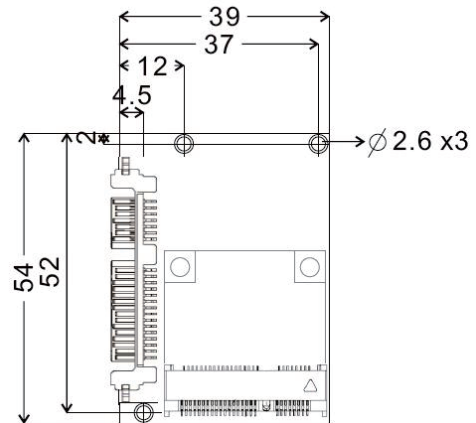


SATA III to mSATA SSD Adapter



Dimensions (unit:mm)



Order Information

Part No.	AD563FA9
Description	SATA III to mSATA Adapter (Half Size)

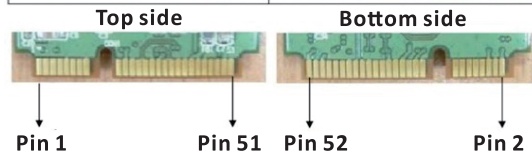
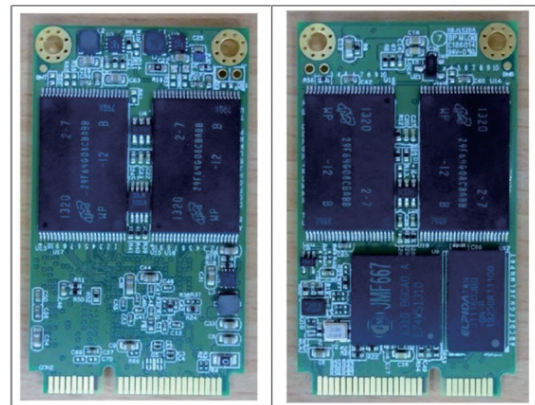
Specifications

- JEDEC MO-297A for Half Slim Form Factor
- Support SATA Reversion 3.0
- PCI Express Mini Card Electromechanical Spec. 1.2
- Data transfer rate: 6Gb/s bandwidth
- Operating temperature – Commercial (0°C to +70°C)
- PWM synchronous buck converter Power IC
 - 3A maximum output current
 - Short circuit protection
 - In-rush current suppression
 - Thermal shutdown protection
 - ESD HBM (Human Body Mode)/2KV

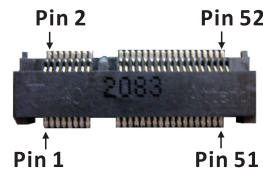
Support mSATA SSD Form factor

- Half size: 26.8 mm (L) x 30 mm (W)

mSATA 52pin golden finger



Device connector : mSATA 52pin golden finger



mSATA 52pin connector